



Part Numbering System

Ordering Information

1	2	3	4	5	6
<u>CLG</u>	<u>02</u>	<u>P</u>	<u>080</u>	<u>L</u>	<u>17</u>
<u>CLP</u>	<u>02</u>	<u>P</u>	<u>080</u>	<u>L</u>	<u>17</u>

1_ Series Name CLG – Standard Profile, CLP- Low Profile

2_ Nominal Voltage: 02 (2.1V); 03 (3.5V); 04 (4.2V); 05 (5.5V); 06 (6.3V); 09 (9V); 12 (12V)

3_ Case Types: P - Prismatic

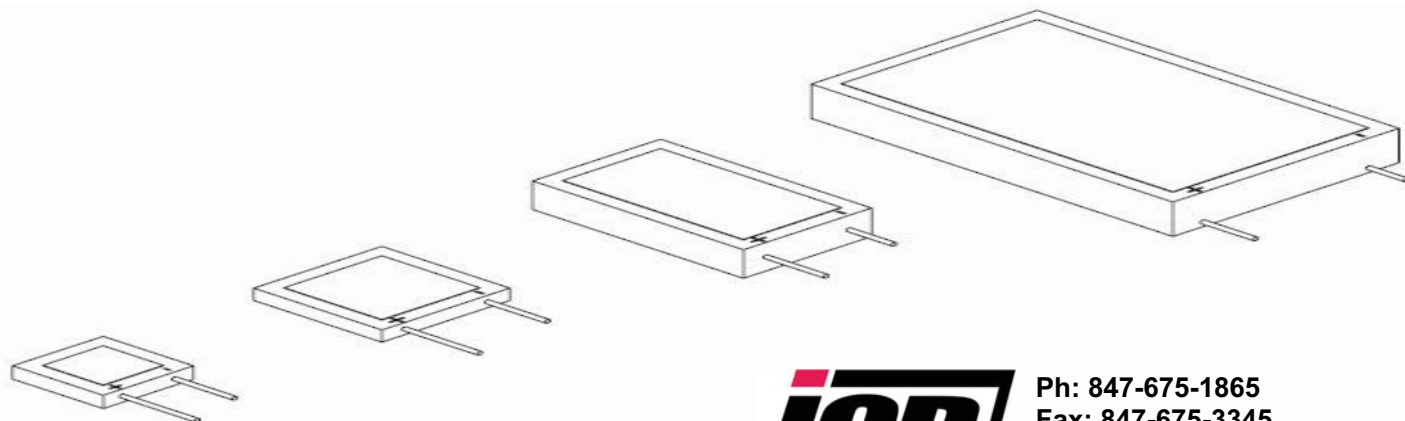
4_ Capacitance: 080 (80 mF)

5_ Leads: L-Leads, **F-Flat (PRELIMINARY)**

6_ Case Size: 12 (12X12.5mm), 17(17x17.5 mm), 28(28x17.5mm), 48(48X30.5mm)

Product Schematics (by Case Size)

L12	L17	L28	L48
-----	-----	-----	-----



PRELIMINARY — New prototype , not qualified yet



Ph: 847-675-1865
 Fax: 847-675-3345
 Email: sales@icd-sales.com
 Website: www.icd-sales.com